



208LS1



Actual product appearance may vary.

Enclosed Switches Series LS: Wobble - Flexible Cable; 1NC 1NO DPDT Snap Action, Double Break; 0.5 in - 14NPT conduit; Plug-in

Features

- Mode of operation is field adjustable
- NEMA 1, 3, 4, 6, and 13
- Wide choice of heads and actuators
- Variety of operating characteristics
- Captive screws
- UL and CSA approved parts available

Potential Applications

- Machine tools
- Conveyors
- Material handling
- Metal fabrication equipment
- Lift trucks

Description

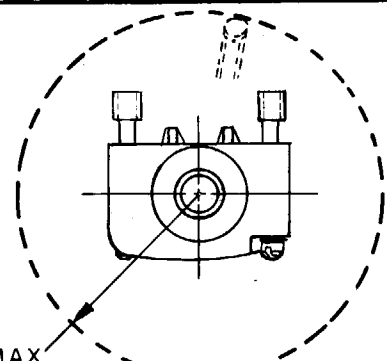
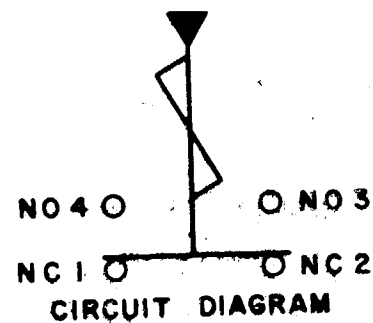
MICRO SWITCH™ compact LS and plug-in 200LS limit switches have a long record of successful performance in industrial applications. The MICRO SWITCH™ LS fits in many places too small for any other fully adjustable limit switch. The MICRO SWITCH™ 200LS switches are the original plug-in concept for reducing downtime by making changeover simple and fast.

Product Specifications	
Availability	Global
Operating Force (O.F.)	1.39 N max. [5 oz max.]
Pretravel (P.T.)	28.6 mm max. [1.125 in max.]
Product Type	MICRO SWITCH™ Compact Limit Switches
Actuator	Wobble - Flexible Cable
Circuitry	1NC 1NO SPDT Snap Action, Double-Break
Ampere Rating	10 A Ind./0.8 A Res./0.4 Res./0.1 A Res.
Supply Voltage	120 Vac. 240 Vac. 480 Vac/115 Vdc/230 Vdc/550 Vdc
Housing Material	Zinc Die-Cast
Termination Type	0.5 in - 14NPT conduit

Housing Type	Plug-In
Series Name	LS
Sealing	NEMA 1, 3, 4, 6, 13
Operating Temperature Range	-29 °C to 71 °C [-20 °F to 160 °F]
Comment	18PA1 terminal block required which must be ordered separately; 5.5" flexible cable actuator with external boot seal
UNSPSC Code	302119
UNSPSC Commodity	302119 Switches and controls and relays
Sealed	Industrial
Operating Position (O.P.)	28,58 mm [1.125 in] max. in any direction

SWITCH - ENCLOSED

CATALOG LISTING
208LS1



1.125 MAX
 OPERATING
 POSITION

SWITCH WILL OPERATE BY
 MOVING ACTUATOR IN ANY
 DIRECTION EXCEPT PULL

5.550 ± .100

ELASTOMER PLUNGER SEAL
 SECURED TO COMPONENTS BY
 EXTERNAL BANDING

2.664 ± .010

CAPTIVE MOUNTING
 SCREW (2)

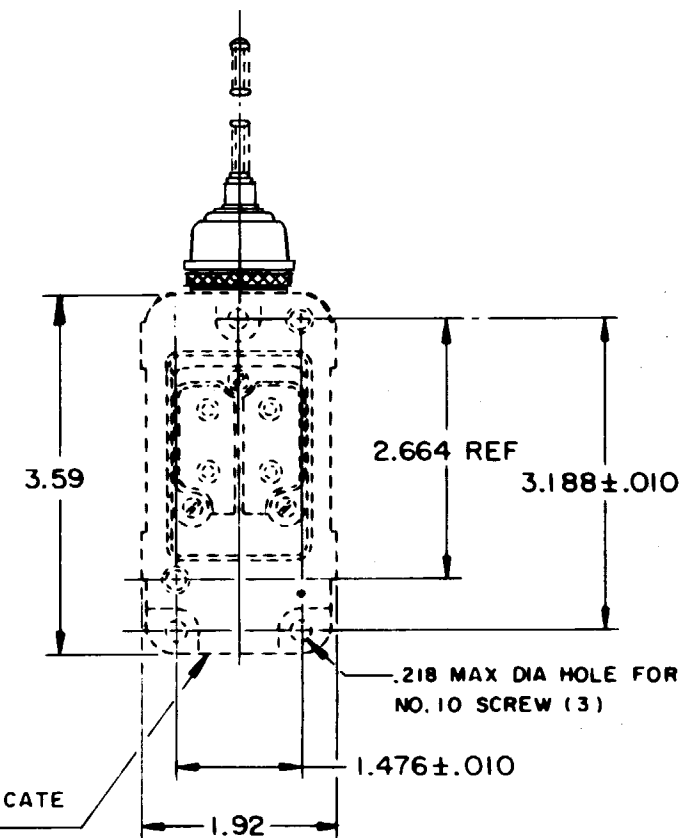
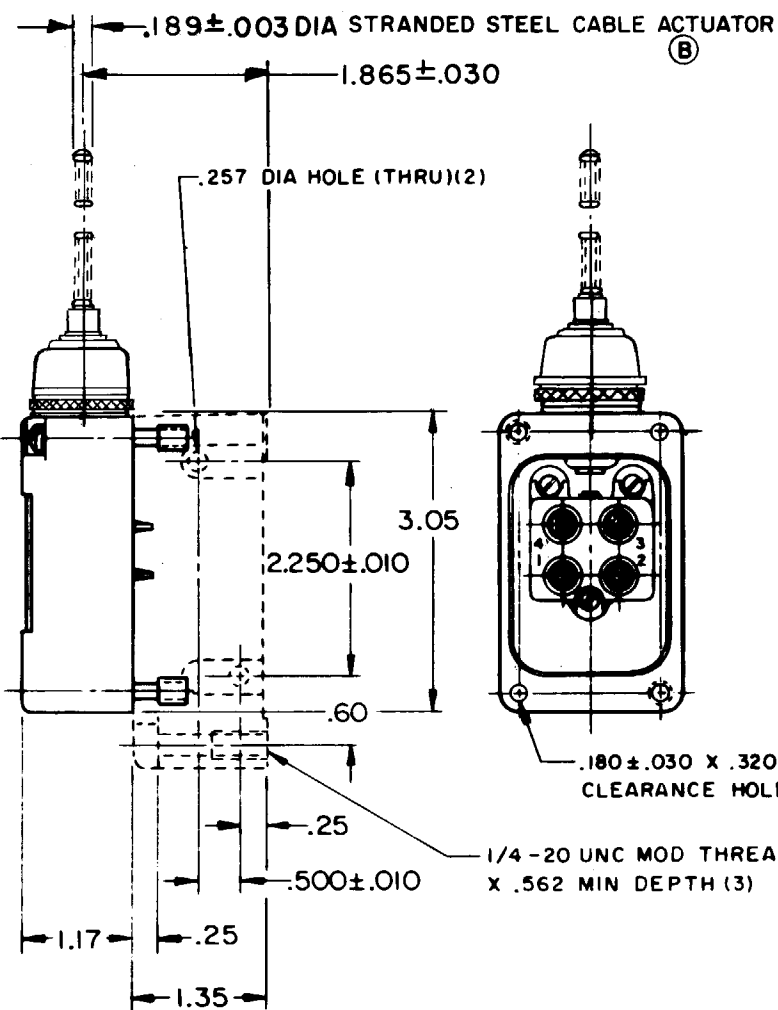
.18

.738

1.476 ± .010

.79

1/2 - 14 NPT THREAD



FORMTEK
 FO-80378-003
 DRAWN
 WEG 24 JUNE 65
 CHECK
 LDD 25 JUNE 65
 CHECK
 JAF 22 MAR 99
 E CO94494
 JDB 22 DEC 93
 D CO-77031
 DAW 19 APR 69
 C CO25152
 RER 15 OCT 68
 B CO24612
 WEG 24 JUNE 65
 A CO15200
 REVISIONS
 ISSUE 11
 DRAWING NUMBER
 M
 208LS1
 PAGE 1 OF 1
 REPLACES
 RELEASE NO.

THIS DRAWING COVERS A PROPRIETARY ITEM AND IS THE PROPERTY OF MICRO SWITCH, A DIVISION OF MINNEAPOLIS-HONEYWELL REGULATOR CO. THIS DRAWING IS NOT TO BE COPIED OR USED WITHOUT THE APPROVAL OF MICRO SWITCH.

CHARACTERISTICS
OPERATING FORCE - - - - - 5 OZ MAX
FORCE AT 2.0 - - - - - 10 OZ MAX
SWITCH - BASIC REPLACEMENT - - - 2MN9

ELECTRICAL DATA
CONTACT ARRANGEMENT (SEE CIRCUIT DIAGRAM)
10A - 120, 240, OR 480 VAC; 1/4 HP - 120 VAC 1/2 HP - 240 VAC; 0.8A - 115 VDC; 0.4A - 230 VDC .1A - 550 VDC PILOT DUTY: 600 VAC MAX

SCALE 1/2 TO 1
DO NOT SCALE PRINT
UNLESS OTHERWISE NOTED DIMENSIONS ARE IN INCHES TOLERANCES ARE:
ONE PLACE (.0) ± .030
TWO PLACE (.00) ± .015
THREE PLACE (.000) ± .008
ANGLES ±
WEIGHT